

C44a

HALF PITCH SHROUDED HEADER SMT TYPE (1.27mm*1.27mm)

PITCH: 1.27mm

SPECIFICATIONS

Material

Insulator : LCP, glass reinforced, rated UL 94V-0

Contact : Phosphor Bronze

Electrical

Current Rating : 1 Amp

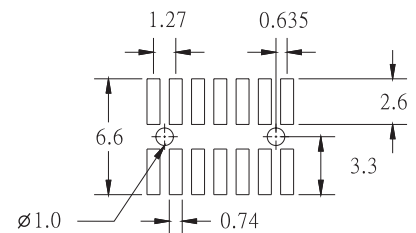
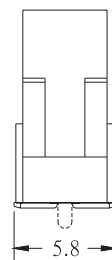
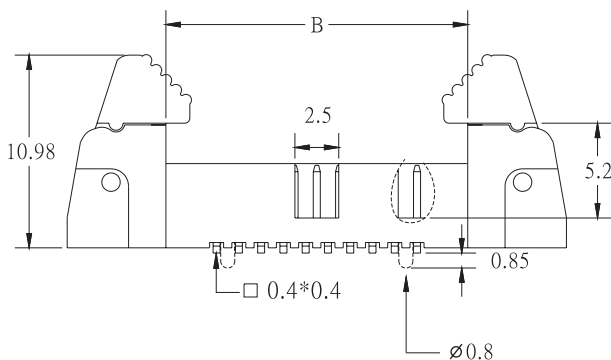
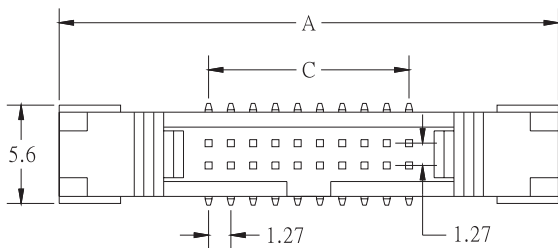
Contact Resistance : 30 mΩ max.

Insulation Resistance : 1000 MΩ min.

Dielectric Withstanding Voltage :250V AC for 1minute

Operating Temperature : -40°C to +105°C

◆ Mating Suggestion : A32 series.



RECOMMENDED P.C.B LAYOUT

| POSITION | A | B | C |
|----------|-------|-------|-------|
| 10 | 22.12 | 10.86 | 5.08 |
| 12 | 23.39 | 12.13 | 6.35 |
| 14 | 24.66 | 13.40 | 7.62 |
| 16 | 25.93 | 14.67 | 8.89 |
| 20 | 28.47 | 17.21 | 11.43 |
| 22 | 29.74 | 18.48 | 12.70 |
| 26 | 32.28 | 21.02 | 15.24 |
| 30 | 34.82 | 23.56 | 17.78 |
| 34 | 37.36 | 26.10 | 20.32 |
| 40 | 41.17 | 29.91 | 24.13 |
| 44 | 43.71 | 32.45 | 26.67 |
| 50 | 47.52 | 36.26 | 30.48 |

HOW TO ORDER:

C44a - 1 - 2 - 3 - 4 - 5

| 1.NO. OF CONTACT | 2.CONTACT MATERIAL | 3.CONTACT PLATING | 4.SPECIAL FUNCTION | 5.INSULATOR COLOR |
|---|--------------------|---|---|-------------------|
| 10 12 14 16 20 22 26 30 34 40 44 50 | B: PHOSPHOR BRONZE | T: TIN PLATED S: SELECTIVE G: GOLD FLASH A: 5u" INCH GOLD B: 10u" INCH GOLD C: 15u" INCH GOLD D: 30u" INCH GOLD | A: WITH LOCATING PEG B: W/O LOCATING PEG | 1. BLACK |