

# A09a

## HIGH RETENTION FORCE EDGE CARD IDC TYPE WITH VERTICAL MOUNTING EAR

PITCH: 2.54mm

### SPECIFICATIONS

#### Material

Insulator : PBT, glass reinforced, rated UL 94V-0

Contact : Phosphor Bronze or Brass

#### Electrical

Current Rating : 1 Amp

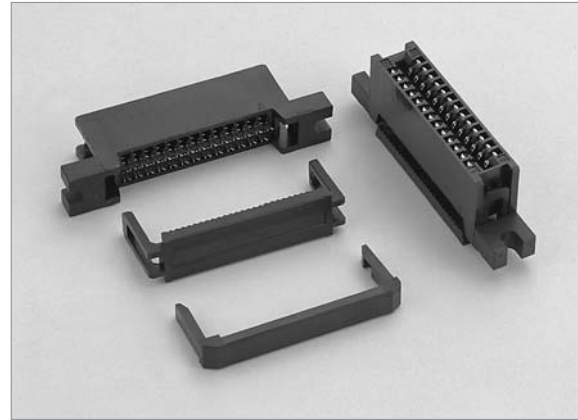
Contact Resistance : 30 mΩ max.

Insulation Resistance : 3000 MΩ min.

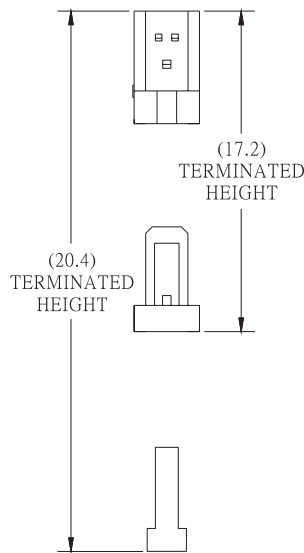
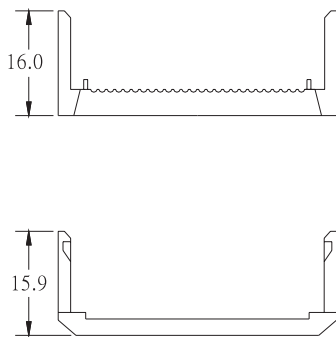
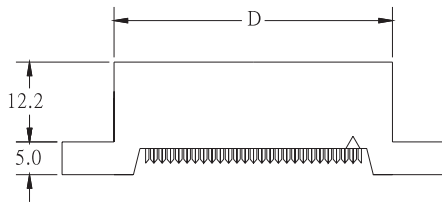
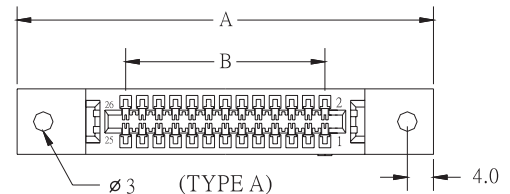
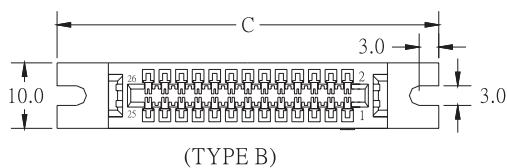
Dielectric Withstanding Voltage : 500V AC for 1minute

Operating Temperature : -40°C to +105°C

♦ Terminated with 1.27mm pitch flat ribbon cable.



A



POSITION	A	B	C	D
10	43.06	10.16	38.06	22.36
14	48.14	15.24	43.14	27.44
16	50.68	17.78	45.68	29.98
20	55.76	22.86	50.76	35.06
26	63.38	30.48	58.38	42.68
34	73.54	40.64	68.54	52.84
40	81.16	48.26	76.16	60.46
50	93.86	60.96	88.86	73.16
60	106.56	73.66	101.56	85.86
62	109.10	76.20	104.10	88.40
64	111.64	78.74	106.64	90.94

### HOW TO ORDER:

A09a -  1 -  2 -  3 -  4 -  5 -  6

1.NO. OF CONTACT	2.CONTACT MATERIAL	3.CONTACT PLATING	4.SPECIAL FUNCTION	5.EAR TYPE	6.INSULATOR COLOR
10 14 16 20 26 34 40 50 60 62 64	A: BRASS B: PHOSPHOR BRONZE	T: TIN PLATED S: SELECTIVE G: GOLD FLASH A: 5u" INCH GOLD B: 10u" INCH GOLD C: 15u" INCH GOLD D: 30u" INCH GOLD	A: W STRAIN RELIEF W PLUGGED KEY B: W/O STRAIN RELIEF W PLUGGED KEY C: W STRAIN RELIEF W/O PLUGGED KEY D: W/O STRAIN RELIEF W/O PLUGGED KEY	A: TYPE A B: TYPE B	1. BLACK 2. GREY